

Cat. 116

by Comelit

iPower

The first and
only wireless
video door
entry system

 **Comelit**[®]
Inventing Innovation

Our achievement: **the impossible**



iP by Comelit **wer**

...is now entirely possible!



All you need for a video door entry phone in your home is a 110/120V AC or 220/240V AC electrical power supply point (door bell, entrance light, electronic door-release device...).



Town centre locations

Rural cottages

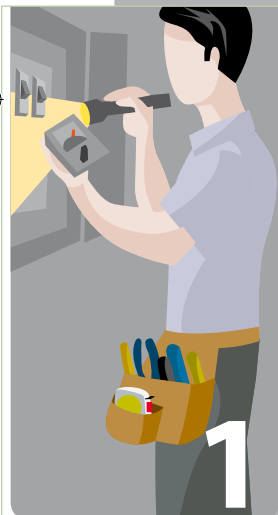
Luxury apartment and commercial buildings

Renovations



Previously...

Where there was no existing system, installing a video entry phone was an onerous undertaking! It often meant stressful, exhausting and time-consuming building work, involving major operations both internally and externally.



1
Electrician - site inspection



2
Builder – to create cable ways



3
Redecoration, painting the walls



4
Nuisance of dust, noise and upheaval internally



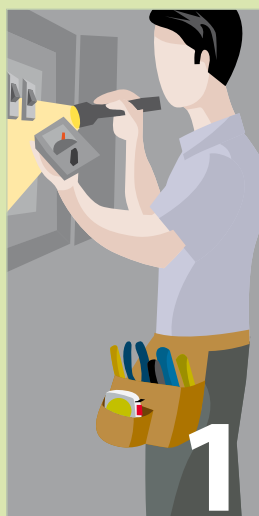
5
External creation of duct work to install the cables for the video door entry system

iP by Comelit **wer**

Finally, the freedom to install a video door entry phone system anywhere.

from now on...

With iPower, straightforward installation means instant results.
If you have an external power supply point, simply contact your
Qualified Electrician to get the job done in no time.



Electrician - site inspection
and system installation



The video system
entry phone is
installed!



Reasons for choosing

by Comelit
iPower



Advantages for the installer

* Systems can be created anywhere

Even in rural cottages, period homes and town centre apartment buildings.

* No wiring is necessary

The system is connected directly to existing mains power supply.

* No building work required internally or externally

iPower does not require any indoor system installation or wiring procedures.

* System can be expanded to include up to 14 internal call units

Once the system has been set up using the iPower device, simply configure the video door entry phone to include various different stations.

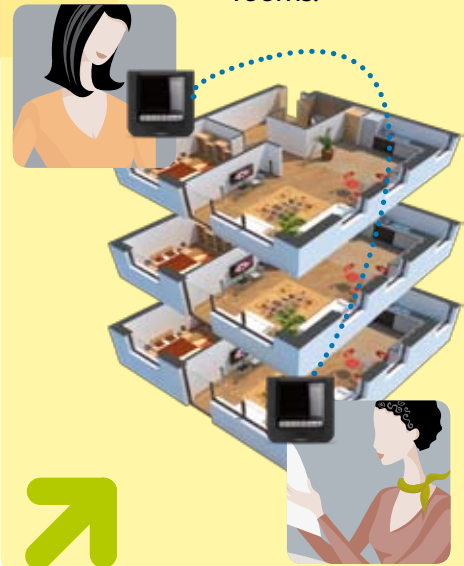
Every electric socket can be a video entry monitor unit

You can connect a video monitor entry phone station to any electrical socket.



Video monitor with portability and intercommunication

Wherever you go, the video entry monitor will follow, allowing communication between different rooms.



Simple system interface

Straightforward programming, customisation and day-to-day operation.



- On screen display menu with icons
- Voice message transmitted outdoors
 - Camera self-ignition
 - Privacy functions
- Function status indicator LEDs
 - Door-opening
 - Full-Duplex

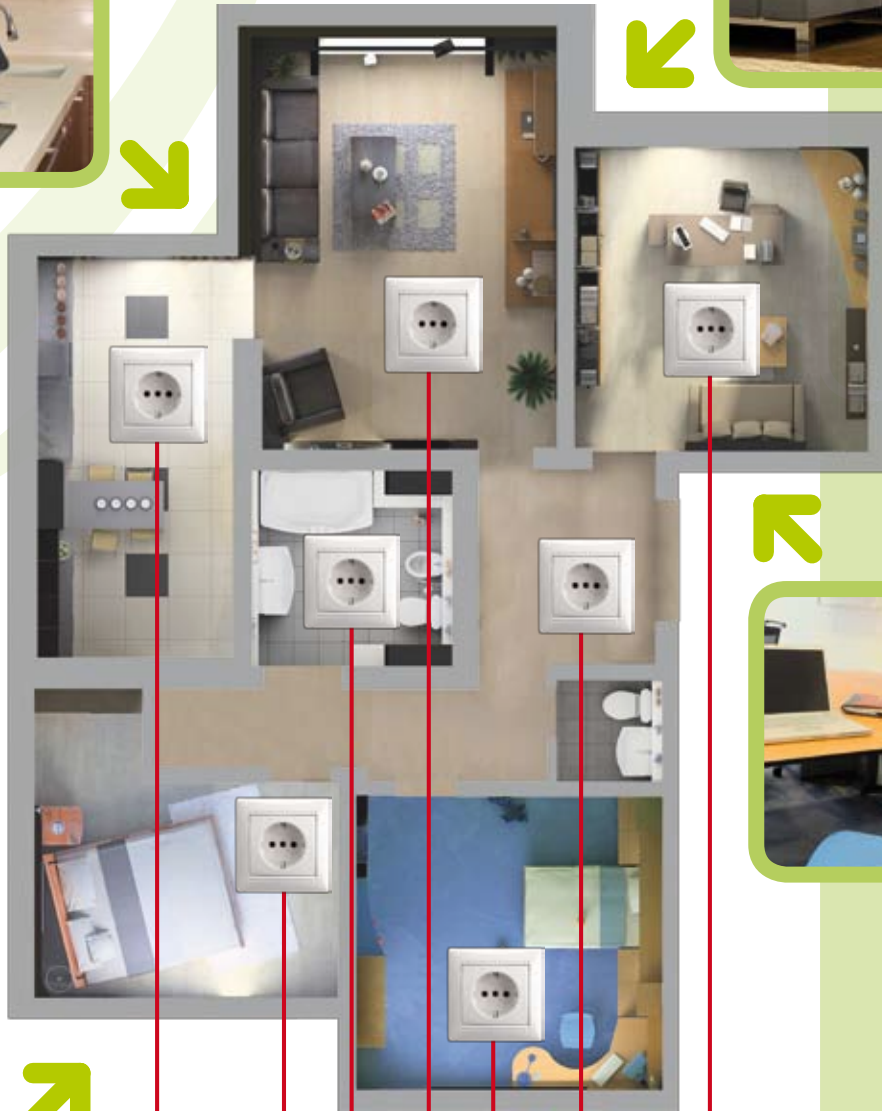
Advantages for the users





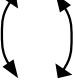
Video memory function

If the property is empty or if a call is not answered, the system records audio/video messages.



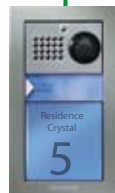
iPower by Comelit



-  iPOWER BRIDGE
-  TRANSFORMER
110V AC OR 240V AC
(ALREADY EXSTING CONNECTIONS)
-  12VAC
-  ELECTRICAL SUPPLIER METER
-  INTERCOMMUNICATION

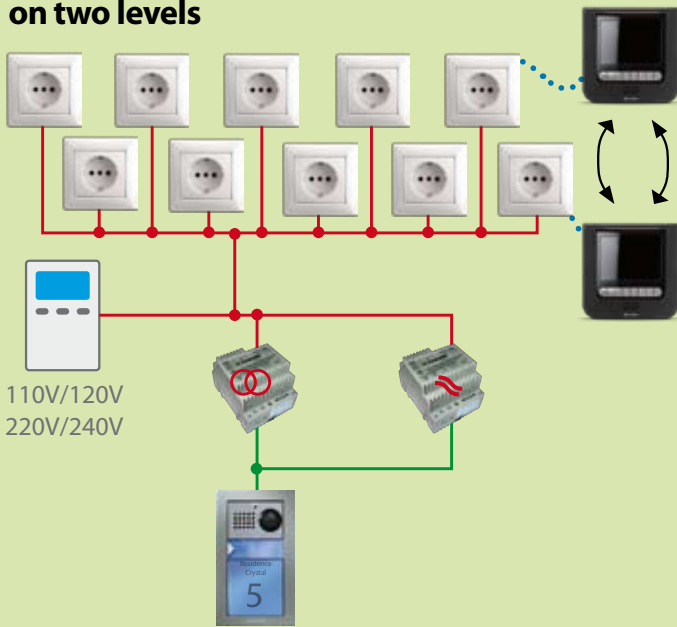


110V/120V
220V/240V

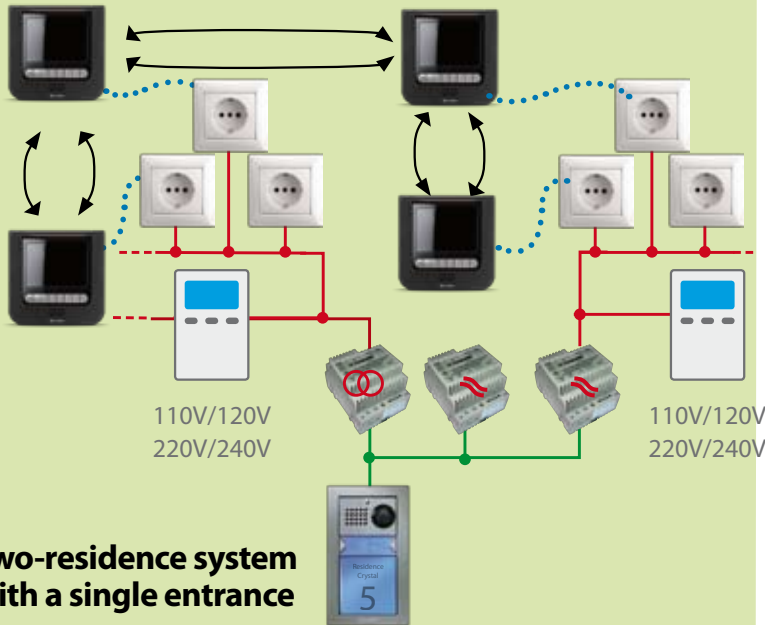
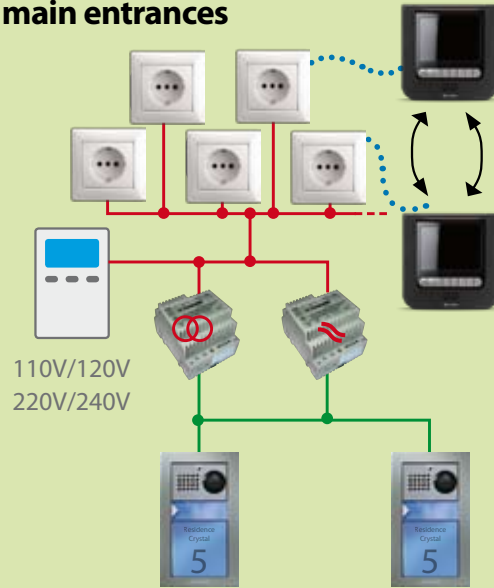


System diagrams

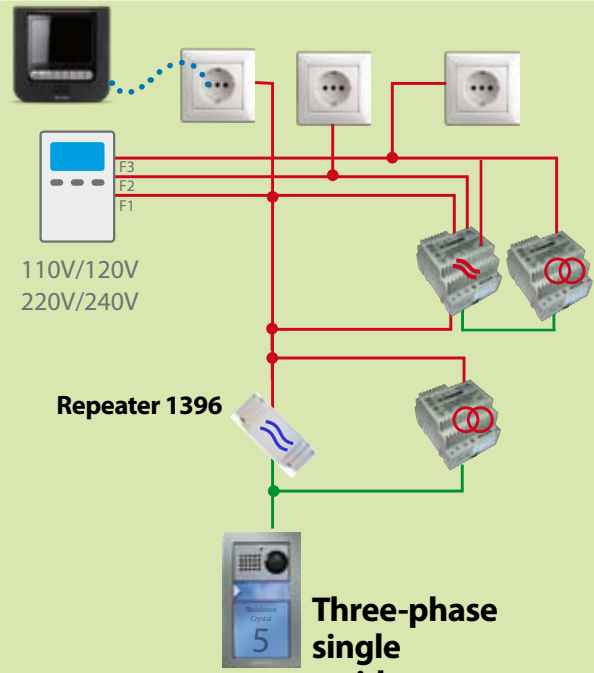
Single-residence system on two levels



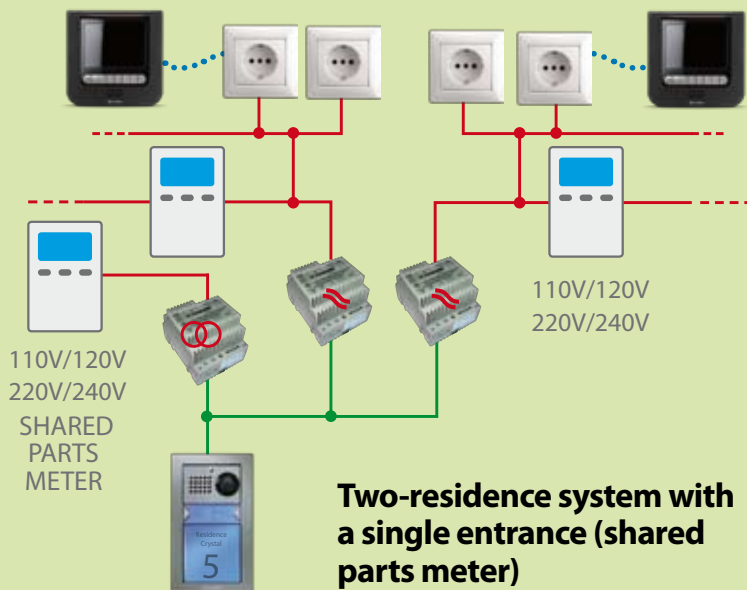
Single-residence system with 2 main entrances



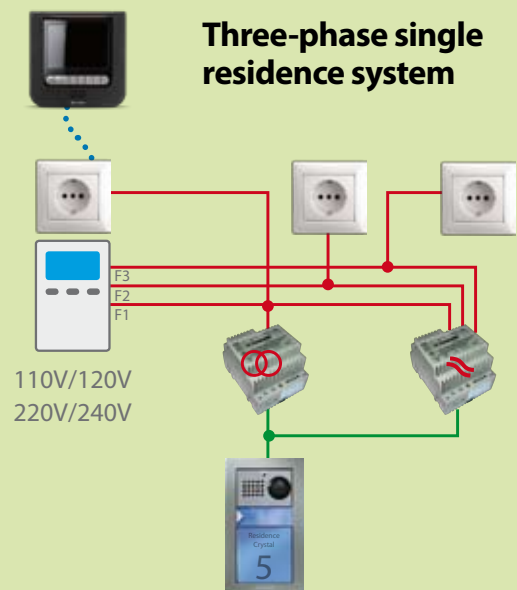
Two-residence system with a single entrance



Three-phase single residence system



Two-residence system with a single entrance (shared parts meter)



Three-phase single residence system

IPower Bridge
Repeater

Transformer

240V AC (ALREADY EXISTING CONNECTIONS)

12 VAC

Electrical Supplier Meter

Intercom.



Art. 8591B* kit with Maestro - Black

Art. 8591G* kit with Maestro - Silver

Single-residence kit

*art. 8591BU version with 110V/120V for US market
 *art. 8591GU version with 110V/120V for US market



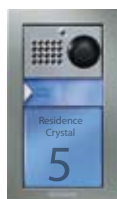
5900B Maestro Monitor - Black

Colour monitor with 5,6" high-resolution display. Made in ABS plastic with aluminium fascia, hands-free function and audio, ringtone, colour and contrast controls. Fitted with 1 door-opening pushbutton, 1 audio pushbutton, 1 privacy mode pushbutton and 5 pushbuttons for a variety of functions. Dimensions: 185x185x38 mm.



5900G Maestro Monitor - Silver

Colour monitor with 5,6" high-resolution display. Made in ABS plastic with aluminium fascia, hands-free function and audio, ringtone, colour and contrast controls. Fitted with 1 door-opening pushbutton, 1 audio pushbutton, 1 privacy mode pushbutton and 5 pushbuttons for a variety of functions. Dimensions: 185x185x38 mm.



4891 iPower external audio-video unit with 1 call pushbutton. Complete with frame and flush-mounting box

External unit with 1/ 4" CD colour camera, white LED illumination, loudspeaker volume control and aluminium call pushbutton with name label. 2 relays (C NO-NC contacts) are available and may be directly activated through the monitor. Complete with die-cast aluminium module frame and flush-mounting box. Dimensions: 125x215x15,5 mm.



5940 iPower bracket complete with power supply and desk base

iPower bracket required to complete the Maestro monitor. Pushbuttons 1 to 5 on the Maestro monitor may be programmed directly using the on screen display menu, and may be used to control intercom functions, self-ignition or external unit relay activation. Features include a 20-second "answer-phone" message and a video memory (holds up to 8 audio-video messages, each lasting up to 10 seconds). Complete with power supply and desk base.

***art. 5940U version with 110V/120V for US market**



1397 Transformer 0-110-240V AC-12 AC

Transformer with 0-110-240V AC primary winding and 0-12 V AC secondary winding. The transformer is fitted with an internal protection PTC element. Dimensions: 105x95x65 mm (6 DIN modules).



1398 iPower bridge module

Bridge module between external units and internal video entry phones. Designed for connection to single-phase/two-phase/three-phase residential mains electricity systems with nominal phase - phase voltage between 220V and 400V, and phase - neutral voltage between 110V and 240V. Terminal for local power supply of 12V AC. Dimensions: 105x95x65 mm (6 DIN modules).



Art. 8592G* kit with Maestro - Silver

Art. 8592B* kit with Maestro - Black

Two-residence kit

*art. 8592BU version with 110V/120V for US market
*art. 8592GU version with 110V/120V for US market



5900B Maestro Monitor - Black

Colour monitor with 5.6" high-resolution display. Made in ABS plastic with aluminium fascia, hands-free function and audio, ringtone, colour and contrast controls. Fitted with 1 door-opening pushbutton, 1 audio pushbutton, 1 privacy mode pushbutton and 5 pushbuttons for a variety of functions. Dimensions: 185x185x38 mm.



5900G Maestro Monitor - Silver

Colour monitor with 5.6" high-resolution display. Made in ABS plastic with aluminium fascia, hands-free function and audio, ringtone, colour and contrast controls. Fitted with 1 door-opening pushbutton, 1 audio pushbutton, 1 privacy mode pushbutton and 5 pushbuttons for a variety of functions. Dimensions: 185x185x38 mm.



4892 iPower external audio-video unit with 2 call pushbuttons. Complete with frame and flush-mounting box

External unit with 1/4" CD colour camera, white LED illumination, loudspeaker volume control and 2 aluminium call pushbuttons with name label. 2 relays (C NO-NC contacts) are available and may be directly activated through the monitor. Complete with die-cast aluminium module frame and flush-mounting box. Dimensions: 125x215x15,5 mm.



5940 iPower bracket complete with power supply and desk base

iPower bracket required to complete the Maestro monitor. Pushbuttons 1 to 5 on the Maestro monitor may be programmed directly using the on screen display menu, and may be used to control intercom functions, self-ignition or external unit relay activation. Features include a 20-second "answerphone" message and a video memory (holds up to 8 audio-video messages, each lasting up to 10 seconds). Complete with power supply and desk base.

***art. 5940U**
version with 110V/120V for US market



1397 Transformer 0-110-240V AC-12 AC

Transformer with 0-110-240V AC primary winding and 0-12 V AC secondary winding. The transformer is fitted with an internal protection PTC element. Dimensions: 105x95x65 mm (6 DIN modules).



1398 iPower bridge module

Bridge module between external units and internal video entry phones. Designed for connection to single-phase/two-phase/three-phase residential mains electricity systems with nominal phase - phase voltage between 220V and 400V, and phase - neutral voltage between 110V and 240V. Terminal for local power supply of 12V AC. Dimensions: 105x95x65 mm (6 DIN modules).

KIT ACCESSORIES



5941 iPower bracket for Maestro monitor

iPower bracket required to complete the Maestro monitor. Pushbuttons 1 to 5 on the Maestro monitor may be programmed directly using the on screen display menu, and may be used to control intercom functions, self-ignition or external unit relay activation. Features include a 20-second "answerphone" message and a video memory (holds up to 8 audio-video messages, each lasting up to 10 seconds).



5912 Desk base for Maestro monitor

Desk base converts the Maestro monitor into a desktop version. Complete with 2 m of cable and connection bushing. Dimensions: 180x180x180 mm.



4670C iPower audio-video unit

iPower audio-video unit with terminal block, complete with 1/4" CCD colour camera (adjustable from the front) and LED camera illumination. Complete with audio speaker unit featuring a double amplifier, waterproof loudspeaker and electret microphone; the loudspeaker volume may be adjusted from the front. Dimensions: 102x55x35 mm.



1396 Repeater passivo iPower

Coupler module between 12 Vac of entrance panel and one phase of 110-240 Vac main electrical power. Necessary when only one phase is available at the entrance panel. With 1398 Bridge the signal will be directed over the other phases. Dimensions: 36x65x83 mm.



Comelit®

Inventing Innovation

[B] **Comelit Group Belgium**

Z.3 Doornveld 170
1731 Zellik (Asse)
Tel. +32 (0) 24115099 - Fax +32 (0) 24115097
www.comelit.be - info@comelit.be

[D] **Comelit Group Germany GmbH**

Brüsseler Allee 23- 41812 Erkelenz
Tel. +49 (0) 243190151-23 • +49 (0) 243190151-24
Fax +49 (0) 24319015125
www.comelit.de - info@comelit.de

[E] **Comelit Espana S.L.**

Josep Estivill 67-69 - 08027 Barcelona
Tel. +34 932 430 376 - Fax +34 934 084 683
www.comelit.es - info@comelit.es

[F] **Comelit Immotec**

Siège: Parc d'activités Technologiques EUROPARC
3, Allées des Saules - 94042 CRETEIL CEDEX
Tél. +33 (0) 1 43 53 97 97
Fax +33 (0) 1 43 53 97 87
Centre logistique livraisons - commandes
15, Rue Jean Zay - 69800 SAINT PRIEST
Tél. +33 (0) 4 72 28 06 56
Fax +33 (0) 4 72 28 83 29
www.comelit.fr - comelit.NH@wanadoo.fr

[GR] **Comelit Hellas**

9 Epiru str.
16452 Argiroupolis - Athens Greece
Tel. +30 210 99 68 605-6
Fax +30 210 99 45 560
www.comelit.gr - telergo@otenet.gr

[I] **Comelit Piemonte**

Str. Del Pascolo 6/E - 10156 Torino
Tel. e Fax +39 011 2979330
www.comelit.eu
infopiemonte@comelit.it

[I] **Comelit Sud S.r.l.**

Via Corso Claudio, 18
84083 Castel San Giorgio (Sa)
Tel. +39 081 516 2021
Fax +39 081 953 5951
www.comelit.eu
info@comelitsud.it

[IRL] **Comelit Ireland**

Suite 3 Herbert Hall
16 Herbert Street - Dublin 2
Tel. +353 (0) 1 619 0204
Fax +353 (0) 1 619 0298
www.comelit.ie - info@comelit.ie

[NL] **Comelit Nederland BV**

Aventurijn 220-3316 LB Dordrecht
Tel. +31 (0) 786511201
Fax +31 (0) 786170955
www.comelit.nl
info@comelit.nl

[PRC] **Comelit (Shanghai)
Electronics Co., Ltd**

5 Floor No. 4 Building No.30
Hongcao Road
Hi-Tech Park Caohejing,
Shanghai, China
Tel. +86-21-64519192/9737/3527
Fax +86-21-64517710
www.comelit.com.cn
comelit@comelit.com.cn

[SG] **Comelit Group
Singapore Representative
Office**

54 Genting Lane,
Ruby Land Complex
Blk 2, #06-01 - Singapore 349562
Tel. +65-6748 8563
Fax +65-6748 8584
office@comelit.sg

[UAE] **Comelit Group U.A.E.
Middle East Office**

P.O. Box 54433
Dubai U.A.E.
Tel. +971 4 299 7533
Fax +971 4 299 7534
www.comelit.ae
info@comelit.ae

[UK] **Comelit Group UK Ltd**

Unit 4 Mallow Park
Watchmead Welwyn
Garden City Herts
AL7 1GX
Tel: +44 (0)1707377203
Fax: +44 (0)1707377204
www.comelitgroup.co.uk
info@comelitgroup.co.uk

[USA] **Comelit Usa** (formerly Cyrex)

250 W. Duarte Rd. Suite B
Monrovia, CA 91016
Tel. +1 626 930 0388
Fax +1 626 930 0488
www.comelitusa.com
sales@comelitusa.com

Comelit Group SpA
Via Don Arrigoni 5 - 24020 Rovetta S. Lorenzo - Bergamo - Italy
Tel. +39 0346 750 011 - Fax +39 0346 71436 - www.comelit.eu - www.simplehome.eu - info@comelit.it

